

# FP9X Serials

Cost-effective Fiscal Printer



## Bullet-points

- 150mm/s print speed, low noise and long life expectancy.
- Paper easy loading structure and super paper slot.
- 32bits processor, and multi ports.
- Maximal 4Mbit fiscal memory (2750pcs daily reports)
- Compatible with ESC/POS command and OPOS driver.
- Support various barcode and WINDOWS graphic printing.
- Support SD card, GPRS, Ethernet ( Optionals)
- Battery, customer display and operator display are optional according to local fiscal regulation request.

## Highlight Features



### 150mm/s print speed :

Firstly introduce the economical high-speed receipt printer with paper of 58mm width in China.



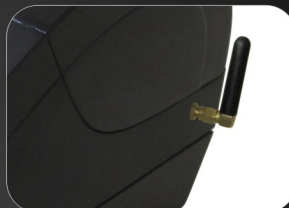
### Internal/ externalSD card (optional)

Big data preservation, secure storage, and convenient journal receipts read.



### Super paper slot

The external diameter of paper roll could reach to  $\Phi 90\text{mm}$  (traditional:  $\Phi 50\text{mm}$ ), reducing paper replacement 3 times.



### Inbuilt GPRS (optional)

real-time transmit fiscal data to tax authority server, human resource saving.



### Optional soft-definition key& operator display

Operation on fiscal printer directly w/o command from PC POS is available.



### Optional customer display

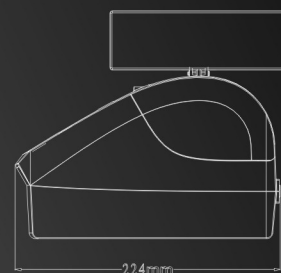
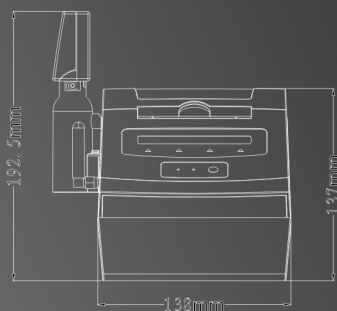
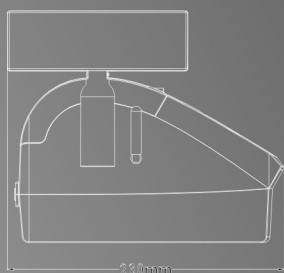
Max support 12 digit, displaying unite price and total amount to customer conveniently.



### Interface:

1\*RS232, 1\*USB, 1\*Drawer, 1\* Ethernet(optional)

## Dimension



## Specifications

Printer	1*57mm( 80mm optional) thermal printer
Paper size	Roll 57mm wide* $\varnothing$ 50mm(Roll 80mm wide* $\varnothing$ 80mm optional)
Autocutter	NO
Printers speed	150mm/s
Easy-loading paper	YES
Dot density	8 dot/mm, 203 dpi-horizontal and vertical, 384 dots/ 48mm
Printing columns	48 columns
Graphic logo	384*176 pixels
Head pins	N/A
Power supply	SMPS 100V-240V, 14V 2.5A
Rechargeable battery	12V 2.3Ah( optional)
Operator display	32*144 LCD, 3 lines; 2*18 characters; One line for soft-definition key display
Client display	VFD display:9digits, single line( optional 12 digits)
Electrical Journal	internal or external SD card( optional)
GPRS	Optional
FM	Maximal 4 Mbit (2750 daily reports)
Interface	1*RS232, 1*USB, 1*Drawer, 1* Ethernet(optional)
Size	220.8*142.5*142.9mm

## PINNACLE TECHNOLOGY CORPORATION

Tel:+86-592-5710087 Fax:+86-592-5710029 Http://www.aclas.tw Email:osa@aclas.com