

BR1X Series

1D Image Scanner (Optional 2.4G/BT/Wired)

Model Specification

BR1XXXX	
1: No.1 mould	0: Black 9: White 8: Gray
L: Laser scanner C: CCD scanner D: QR code G: Grid M: COMS scanner	T: Desktop type (without stand) Null/S: Standard type with stand W: 2.4G type with stand B: Bluetooth type with stand
W: 2.4G 4: 433 MHz B: Bluetooth N: Wired F: WiFi	R: Aclax RS-232(phone4)port J: Aclax RS-232(phone6)port D: PC POS RS232 D9 port P: PS2 port (without tee cable) K: PC POS PS2 port (with tee cable) U: USB port



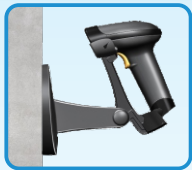
Mobile Phone Payment



Wireless



Document Mode



Wall-hanging function



Barcode Item Mode



Wireless Charging Rotatable Base

Unique Functions

- Exclusive ultra-high resolution, the BR1X is capable of scanning 2mil ultra-tiny barcode with high density (3 mil or above for other manufacturers).
- Exclusive design of one scanner with three operation patterns and stereoscopic scanner stand (charging stand) with multi-functions. The BR1X supports to scan documents on the counter at 90°, items with barcode at 45° and payment code on mobile phone manually and wirelessly.
- Equipped with pre-lighting function (when handheld or vibratory trigger hits the scanner), it can easily aim among close barcodes.
- Wireless 2.4G model (BR1WX) of super power-saving design is able to scan up to 13,000 times when it's fully charged. Standby current only comes to 6µA, the BR1X can standby for one year.
- 2.4G and Bluetooth dual module integrated scanner.
- Optional communication modes: 2.4G, Bluetooth and wired mode (just change communication board to switch the communication mode).
- 2.4G frequency selection technology, several scanners can be used at close range at the same time without interfere with each other and super power-saving.

Excellent Functions

- BR1XL model 433MHz, supports connectivity up to 300m wirelessly, conducive to warehouse and supplier.
- Waterproof and dustproof design, an IP54 rating assures operation reliability under bad condition.
- Drop durability design, designed to withstand 1.5m drops to concrete.
- Special wire rod for wired scanner (BR1NX), it carries lighter weight (half diameter) and better durability (half tensile force) of the same kind, also superior in flexibility and tension.
- Optional system interfaces: USB port, PS2 and RS-232 D9.
- Equipped with wall-hanging function, the BR1 can save desktop space.

BR1LX Scan Range		BR1X Scan Range	
Barcode Density	Depth of Field	Barcode Density	Depth of Field
2 mil (Code 39)	20-70mm	2 mil (Code 39)	5-20mm
4 mil (Code 39)	15-130mm	3 mil (Code 39)	0-46mm
5 mil (Code 39)	15-150mm	4 mil (Code 39)	0-80mm
10.4 mil (UPC)	10-185mm	5 mil (Code 39)	0-110mm
10.4 mil (JAN)	10-190mm	10.4 mil (EAN)	0-270mm
15.6 mil (JAN)	25-215mm	13 mil (EAN)	5-260mm
		15.6 mil (EAN)	5-260mm

*Resolution: 2 mil
*Depth of field may vary depending on barcode quality and environmental condition.

Specification

OPERATIONAL

Model	BR1LX	BR1X
Light Source	650nm laser	2500 pixel linear transducer
Operation Pattern	Handheld or stand type (on charging stand)	
Scan Pattern	Handheld or auto scan on charging stand	
Scan Precision	0.10mm (4 mil)	0.05mm (2 mil)
Scan Width	118mm (at 50mm);245mm (at 130mm)	117mm (at 20mm);305mm (at 200mm)
Error Rate	Millionth	
Transmission Rate	RS-232 baudrate:2400-38400	
Decoding Capability	Code39, Code32, CIP39, Coda Bar(CLSI), EAN-13, UPC-A, EAN-8, UPC-E(Add on 2 of 5), MSI/Plessey(UK Plessey), Code 128(EAN128),Code 93, Code 11, Interleaved 2 of 5, ITF 14, Industrial 2 of 5, IATA, Matrix 2 of 5, Telepen, China Postal Code, GS1 DataBar(RSS), Laetus Phamacode	

PHYSICAL

Material	ABS+TPR
Color	Gray/Black/White
Dimension	112mm (Length) *75mm (Width)*200m (Height)
Indicator	LED &Beeper
Battery	600mAhr (Cordless Scanner)
System Interface	USB/RS232/PS2 or 2.4G/Bluetooth

POWER

Operating Voltage	5V ± 5%	
Operating Current	120mA	112mA
Standby Current	10 μ A (Cordless Scanner)	6 μ A (Cordless Scanner)

ENVIRONMENTAL

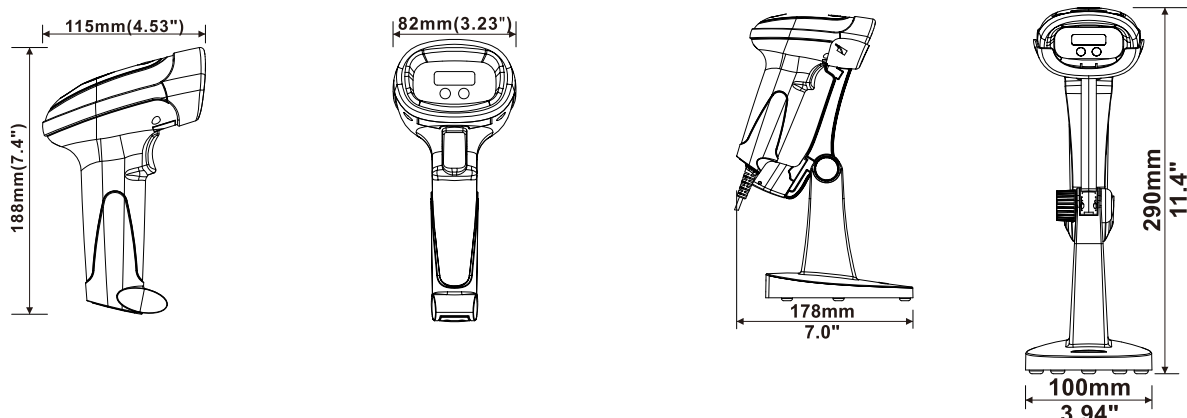
Drop Durability	Withstand 20 drops at 1.5m to concrete	
Working Temperature	0°C~40°C (Customization available for harsher environment)	
Store Temperature	-10°C~40°C	-20°C~60°C
Relative Humidity	5%~95% (Non-condensing)	

REGULATORY

Safety	National Secondary Safety Standard	No Safety Concern
--------	------------------------------------	-------------------

Note: All above parameters are subject to change without prior notice.

Dimension



PINNACLE TECHNOLOGY CORPORATION

Tel: +86-592-5710087 Fax: +86-592-5710029 Http://www.aclas.tw Email:osa@aclas.com