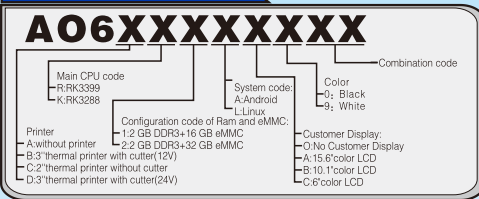


A06X All-in-one Touch POS

Cloud Touch POS

Model Explication



★ is optional

Unique Functions

- ※ All-in-one Arm POS design combines 15.6"capacitive touch screen, fingerprint recognition printer, customer display *, scanning head *, camera *, magnetic card *, Wifi + BT *, RFID card *. The efficiency is sufficient to meet the complex business needs. (* is optional)
- ※ Two-dimensional dual-code scanning can support mobile payment and commodity code scanning. With automatically rotated head, the merchant does not need to buy two scanners, saving space and cost.
- ※ The display adopts the structure design of "pluggable and quick-detachable", which can be quickly disassembled and replaced for quick maintenance and quick replacement.
- ※ Equipped with Rockchip quad-core processor, its high energy efficiency and low power consumption characteristics ensure the stable, efficient and safe system operation of the product.
- ※ Optional 15.6"and 10.1" colorful customer display, which is available for multimedia advertising, in-store promotion, and information release. Type of double screen will bring more value-added services and advertisement revenue.
- ※ Optional thermal printer 2" without cutter, or 3"with cutter. The maximum printing speed is 150mm/s. Unique slanting piercing paper-out sensor (World Patent). It is with mechanism to replace paper-cutter easily without opening the printer cover, and with flexible black mark position function.
- ※ Cloud POS concept design, with background rental software, users can order software services to support chain expansion according to demand, while software can also achieve important data online operations (such as issuing member prepaid stored value cards), and sales can be offline, ensuring that the network is safe and not worrying about power outages.
- ※ Optional fingerprint recognition/3D structured light face recognition module, which can achieve high security level face recognition, fingerprint/face payment function.

PINNACLE TECHNOLOGY CORPORATION



Excellent Functions

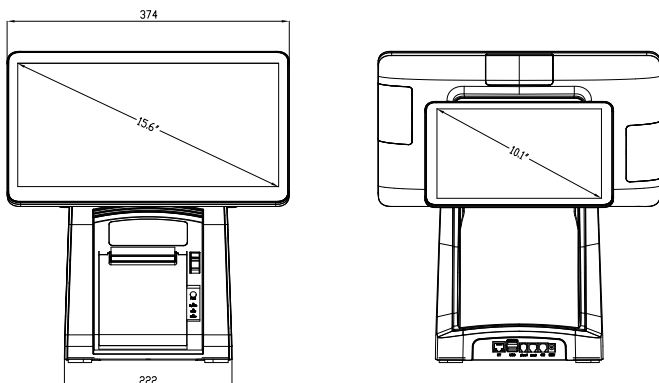
- ※ Adopting a frameless capacitive touch screen, it is not easy to malfunction and aging. Compared with the resistance screen, it is twice as bright and the touch is sensitive. The life of this frameless capacitive touch screen is almost as long as the life of the machine. In addition to various defects such as opaque, easy to scratch, and becomes blurred and the sensitivity decreases after a long time. The biggest problem of the five-wire resistive screen: The resistance value will become larger due to being pressed. The position of the frequently pressed will be distorted, and it will need to be recalibrated frequently. Even if it is pressed hard, it needs to be renewed.
- ※ Optional retail, convenience stores, catering, supermarkets, food courts, boutiques, beauty salons and other multi-format front-end software, and you can directly access the headquarters database, establish a chain store network, and support online upgrades.
- ※ Operator display could be adjusted 30° ~75° by cashiers.
- ※ Bundled software supports mainstream third-party payment platforms such as WeChat and Alipay.

Specification

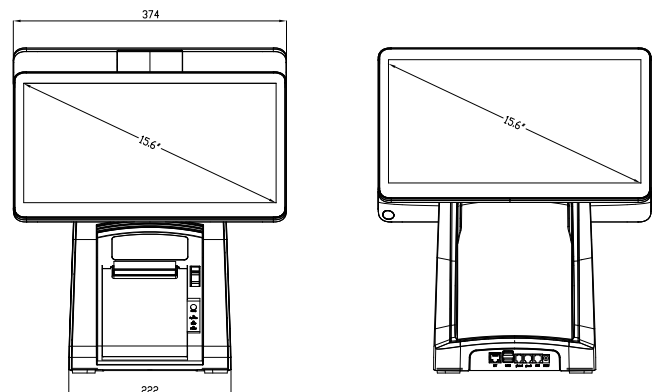
Model		AO6X
Host	Processor	Rockchip RK3288/RK3399, Dominant frequency 1.8GHz
	Operating system	Android8.1/Android7.1
	Storage	2GB+16GB
	Power supply	12V 5A
Port	USB2.0	4
	Serial port	2
	Cash drawer	1
	Ethernet	1
Options	WIFI	IEEE 802.11b/g/n/d/e/h/i
	Bluetooth	V2.1+EDR/BT v3.0/BT v3.0+HS/BT v4.2
	RFID	RFID reader module
	Magnetic card	1-2-3 track magnetic card reader
	Scanner	Support one-dimensional, two-dimensional scanning
	Fingerprint module	Support
Display	Display	15.6"(1920*1080)
	Touch screen	Capacitive
	Customer display (optional)	15.6"(1920*1080)/10.1"(1024*600)colorful customer display
Printer	Thermal printer	2"without cutter(57mmxΦ50mm)
		3"with cutter(80mmxΦ80mm)
	Speed	150mm/s
Physical characteristics	Dimension	373mm(L)*241mm(W)*498mm(H)

Dimension

15.6"operator display+10.1"customer display



15.6"operator display+15.6"customer display



PINNACLE TECHNOLOGY CORPORATION

Tel:+86-592-5710087 Fax:+86-592-5710029 Http://www.aclas.tw Email:osa@aclas.com