

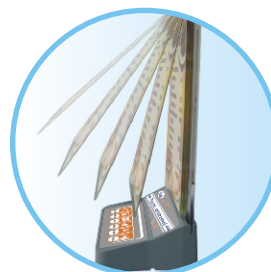
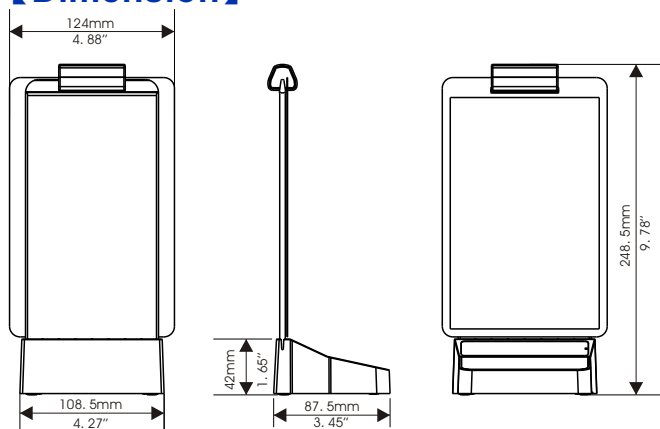
Service Caller

Model Explication

SC1X

W4:433 wireless
Service Caller Terminal

【Dimension】



【Advanced functions and characteristics】

- ※ SC1X adopts 433MHz wireless and long-distance communication technology, power saving operation with battery, no need layout, convenient to install, and easy to operate.
- ※ With simple keys, customers press one button, such as water, check out and service, etc, and the demands will be sent to the foreground. Waiters can provide services at the first time, thus to improve the service efficiency and avoid such situation occurs that customers' demands cannot be sent without waiters alongside.
- ※ SC1X can work better if with Pinnacle's 4-digit LED service display (BD1X), which can translate customers' service needs into digit, and show them in highlight, with a voice prompt (Volume can be adjusted). Waiters can learn customers' demands type

【Specification】

Power	3 × 1.5V
Standby current	20 μA
Work temperature	0°C-40°C
Work humidity	5%-93%
Main board	8051 main board
Weight	205g (Including display)
Wireless distance	100m

【The connection diagram of restaurant system】

