

PO2X Series

Integrated PC POS

Model Explanation

PO252LXXXX

Printer type

- 3: dot matrix printer 76MM with hole (M-U111S)
- 4: dot matrix printer 76MM (M-U110 II)
- 5: 57MM thermal printer
- 6: 76MM thermal printer
- 0: 57MM dot matrix printer

Operator display

- 1: 10.4-inch display
- 2: 12.1-inch display
- 5: 15-inch display
- 9: 9-inch CRT display

Function code

- C: with cash drawer
- D: with money detection
- L: with laser scanner
- M: magcard
- N: support the E card or NFC card payments
- R: inbuilt RFID card reader

Client display type

- L: LED display
- L: 6.65*264 (middle)

Patent product , counterfeiting not allowed

Patent No. of the fast fetch &

install structure for the netted barcode scanner: ZL 2004 2 0103415.3

Adjustable vertical cash drawer patent no.: 03220560.0

Membrane Key Patent No: ZL 01 2 03361.8



two-ray money detection device



Unique Functions and Features

- ※ PO2X is designed especially for the small and costly business environment. Solid and small structure, unifies the money detection device, printer, netted barcode scanner, LCD display, client display, keyboard, magcard, and M1 card as a whole one, greatly saves the counter space is convenient in view of practical operation. It is helpful for quick check-out in great supermarket (four machines can be installed in one side of cash-out passage).
- ※ Patented removable and renewable hot keypad (96*2 keys) can be easily replaced even if it is soaked. (Patented) The layout of hot keypad can be easily edited by the PC software and be printed immediately so that the cashier can operate the machine expertly by pressing the single key without having to memorize and enter the several-digit part No.
- ※ Has the largest hot keys quantity 92 pcs in the world (can reach to 192 pcs hot key PLU by turning page), is suitable to work in shop and supermarket. Able to switch to the standard PC keyboard for the system reshipment.
- ※ Support to work with RFID card and magcard reader, and with excellent tactility functional keys.
- ※ Professional industrial-control mainboard and superior anti-high noise mechanism, guarantees a good performance even under 4000V noise without shut down (ordinary PC anti-noise capacity in the market is 800-1200V).
- ※ Portable drawer core with metal cover is convenient for settling account and avoid troubles caused by cash counting in counter or money steal under chaos condition.
- ※ 100With two-ray (ultraviolet & Infrared) laser money detection can distinguish notes fast and efficiently.
- ※ Compatible printer and client display with EPSON command collection. Capacity of long-distance program update makes the machine keeps up with times.
- ※ Patent super capacity cash drawer with vertical note insert and adjustable note component, is idle for quick check-out and no need to set account in advance. The drawer core can be taken out with cover (optional) to set account in back office, avoiding counting locally and pausing cash check-out process. The note components can be adjusted as 10 notes/4 coins (CW24X) or 8 notes/8 coins (CW28X) capacity, which is changed based on customer's demand.
- ※ Netted infrared laser scanner with patented structure, 45° downward magnetic-attract design (one scanner with double functions: hand-hold and standing), is convenient to scanner big-size commodity which is not able to put in the counter desk. The superiority is obvious in comparison with standing laser scanner.

* Stands for the developing functions, please contact us by phone before placing the order. Thank you.

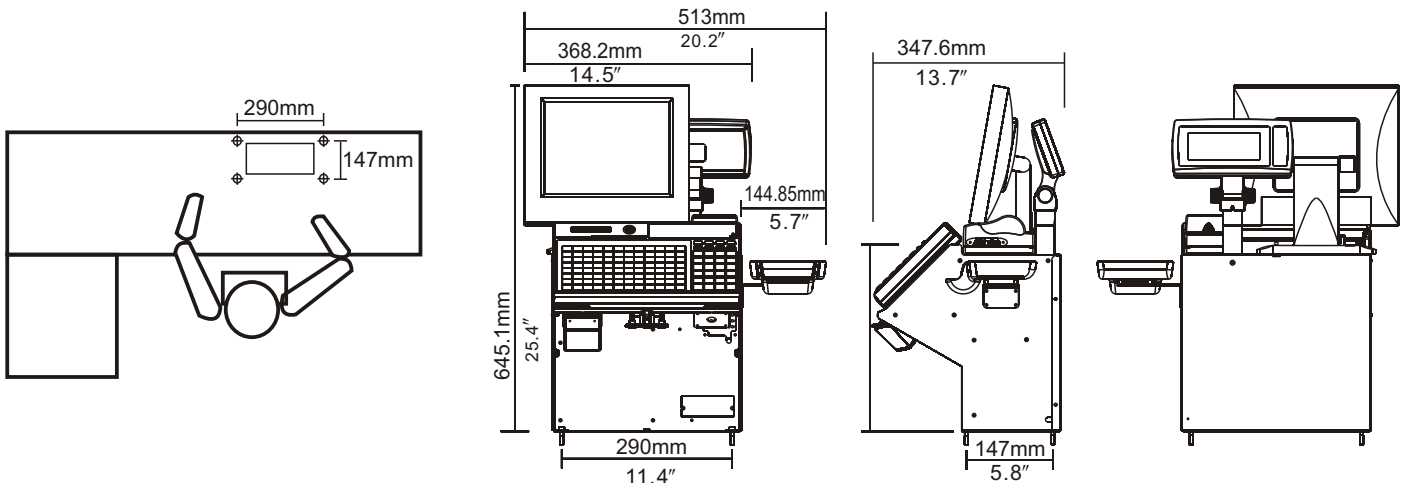
Technical Specification

interfaces:	2 USB, 1 Ethernet port, 1 RS232, 2 PS/2, 1 parallel port
Power supply:	Input 220V 50Hz
Cash drawer:	Adjustable vertical note insert component
Keyboard:	PT1 programmable keyboard, can switch to the standard PC keyboard
Print speed:	About 50mm/s (speed changed by 10%~30%, depends on the print density) (dot matrix 57mm/76mm optional)
Client display:	8 digits LED display
Operator display:	800*600 10.4 inch color TFT, 9 inch black-white color CRT optional
Hard disk:	8G SSD (Can be upgraded to HD)
CPU:	C3-1G (VIA)

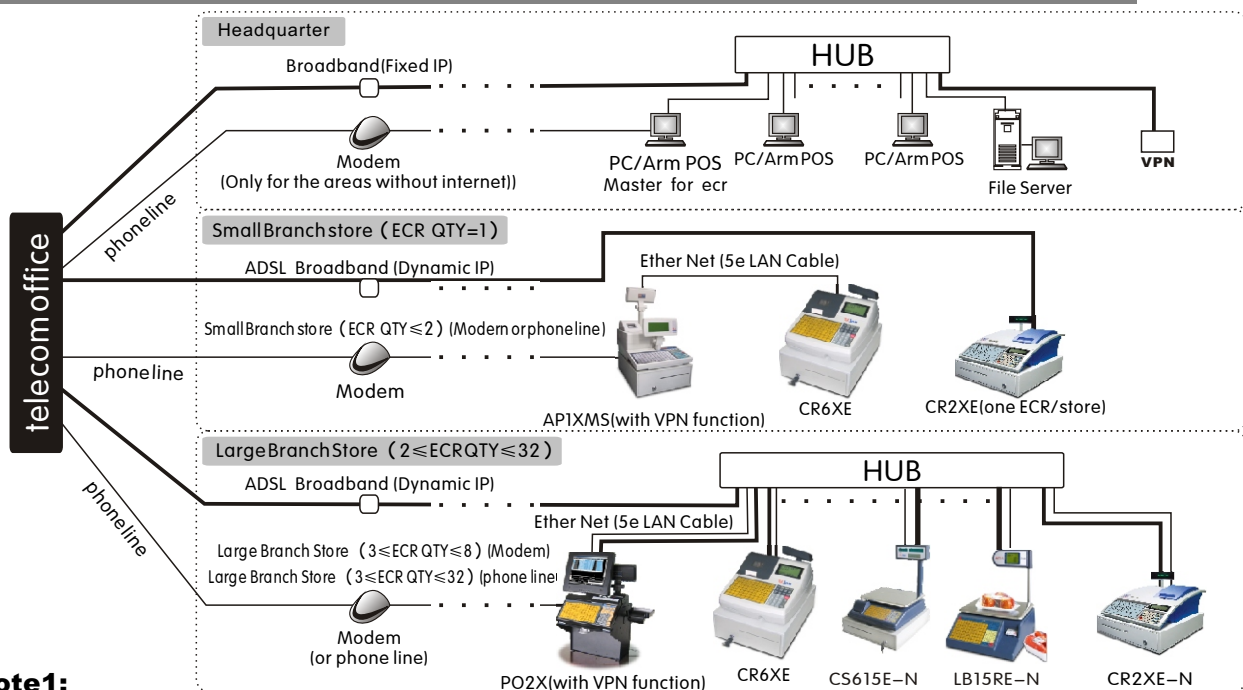


(The drawer core can be taken out to set account in back office)

Dimensions



The connection diagram of Broad Band POS Cash Register (Pinnacle exclusive)



Note1:

1. The board line is diagram between head store and its branch, while the filament indicates the remote branch where no ADSL but modem instead.
2. Our model above CR6X with net function can realize the above functions.
3. Except server, other machines can be used our LB15X, CS1X instead.

Note2:

- 1: *Under developing functions.
- 2: Functions are subject to change without notice. Please refer to practicality.