

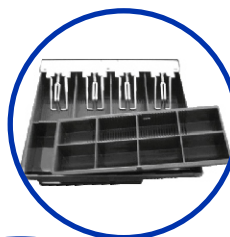
CWY2 Series



Cash drawer



CWY2



Cash Clamp



The till with optional cover for accounts settlement.

Characteristics

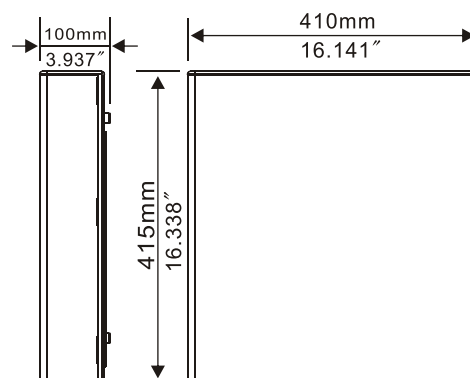
- ※ It is a newly advanced pattern, which can be drawn by POS printer or the host computer of cashing machine.
- ※ Adapt to all kinds of advanced POS machine and cashing machine.
- ※ The pairing element employs imported bearing steel grounder to touch with steel lead rail, which makes the cash box move mutely and smoothly. Thus, the cash drawer can endure longer.
- ※ A three position lock ensures the cash's security.
- ※ The lengthening case for single check suits for the storage of non-paper currency or large checks.
- ※ The inner cash box can be taken out separately. The inner holders' space of cash box can be adjusted.
- ※ SPCC cold rolling steel plate shell and SECC-N5 electroplating zinc under plate which is firm and anti-rust.

Specification

- ※ Outline size: 410mm (W) ×415mm(L)×100mm(H), the feet are 14mm high
- ※ 4 bill holders and 8 active coin holders

Solenoid release mechanism (input to solenoid)

- ※ Pulse Amplitude :12VDC to 24VDC
- ※ Pulse Width:50ms to 200ms
- ※ Pulse Duty Cycle: 10% maximum
- ※ Peak Current :1.85A



Illustration

When POS applied software sends an article of special order to POS Printer, printer will export electrical impulse to open the drawer. This special order is determined by the type of the printer. Otherwise the drawer can be opened by the electrical impulse sent by the host computer of cashing machine.