

CRDX Series

CRD Fiscal Cash Register

Patent product,
unauthorized production prohibited

Cash Drawer Patent No.: ZL 03 2 2056 0.0

Keypad Patent No.: ZL 012 0336 1.8

Double-light Money Detection Case No.: 2005 2006 1087.X



BD1W2

BD1X Wall Type Display



GP1SW4
Guest Pager

Model Explanation

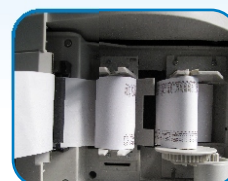
| CRDXXXXxxxxxx | | |
|--------------------------------|---------------------|-----------------------------|
| 4:76mm dot matrix printer | | B: with accumulator |
| 5:57mm thermal printer | | C: with cash drawer |
| 6:76mm thermal printer | | D: with money detector |
| 8:57mm double thermal printers | | E: Ethernet |
| D:57mm dot matrix printer | | F: fiscal |
| | | R: inbuilt RFID card reader |
| | | W: wireless |
| PLU quantity | Operator display | Customer display |
| 1:1000 | 1.65*132 LCD (S) | 8: 14 digits LCD (M) |
| A:12000 | 5.32*160 LCD (S) | |
| D:40000 | 8.14 digits LCD (M) | |



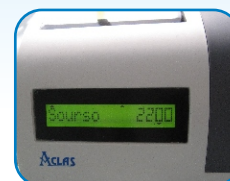
Magnetic Card Reader



Removable and renewable hot keypad
(Patented)



Double Printer



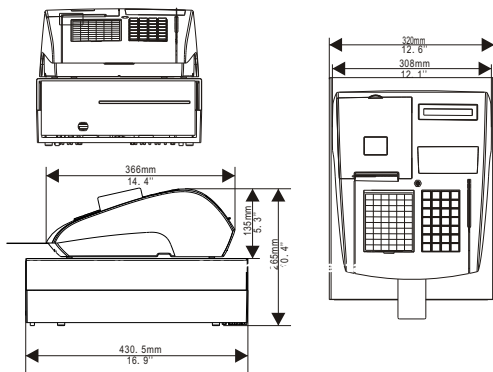
Customer Display

Function Features

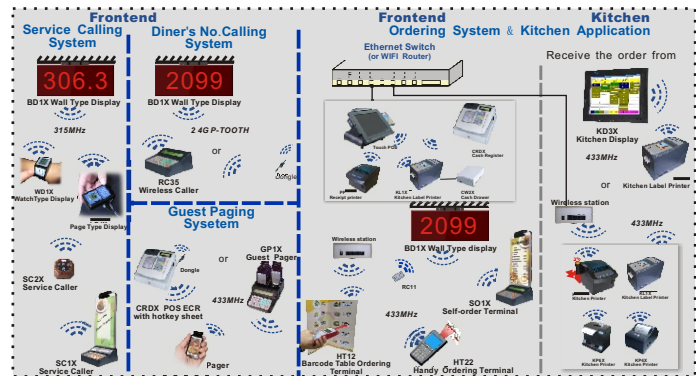
- ※ Patented waterproof membrane (2*60 hotkeys) keyboard,Originally-developed, innovative removable and renewable hot keypad(60*2 hot keys). It's convenient for selling best-selling commodities by operating hotkeys.
- ※ 65*132 graphical LCD display, Able to display four lines sales PLU data, battery voltage, date and time on the operator LCD screen; one-line display for customer LCD screen.
- ※ PLU quantity is up to 12,000, meets the demand of most market places.
- ※ UPS battery of 6V4.5AH, can support for printing 800 receipts, or supports 2-10 hours work during power failure.
- ※ 28 Raised keyboard, free shift key-layout in Restaurant or Retail business.
- ※ Single 57mm thermal printer, 58mm-paper wide, Ø50mm paper roll.
- ※ Support Electronic journal (inbuilt 2GB)
- ※ Fiscal memory can support 1830 daily reports.
- ※ With functions of multi-payment modes such as R/A and P/O, currency change, commodity return etc.
- ※ Capable of printing various sales reports such as daily report, periodical report, department report, PLU report, cashier report, tax report etc.
- ※ With one-time egg label in the machine. Cabinets cannot be opened without destroying the egg label. Only authorized persons are allowed to open cabinets.
- ※ Port: RS232 , PS/2, Drawer
- ※ Optional GPRS transmission device.

| Model name | CRDY51BFJ | CRDY51BFJG |
|--------------------------------|---|--|
| Printer | 1*57 MM | 1*57 MM |
| Electronic Journal | 2G byte internal | 2G byte internal or external SD Card |
| Printers speed | max. 60mm/s | max. 60mm/s |
| Power supply | Switching Mode Power Supply, rating voltage is 100v-240v, 7V2.0A | Switching Mode Power Supply, rating voltage is 100v-240v, 7V2.0A |
| Rechargable battery | 6V4.5AH, can be used for 8 hours when printing one receipt (15line, 16character/per line) every minute. | 6V4.5AH, can be used for 8 hours when printing one receipt (15line,16character/per line) every minute. |
| Type of the keyboard | Membrane keyboard+ Stroke keyboard | Membrane keyboard+ Stroke keyboard |
| Type of the keyboard | 60 membrane keys and 28 function keys | 60 membrane keys and 28 function keys |
| Operator-Display | 4lines*16 characters (LCD display 65*132 middle size) | 4lines*16 characters (LCD display 65*132 middle size) |
| Customer-Display | LCD display (14 Alphanumeric/ 6 characters + 8 digits) | LCD display (14 Alphanumeric/ 6 characters + 8 digits) |
| Department | custom | custom |
| Cashiers number | 4 | 4 |
| PLU number | 12,000 | 25,000 |
| Tax rates | upto 8 | upto 8 |
| Ports | 1RS232 port, 1*PS/2 port,1 drawer port | 1RS232 port, 1*PS/2 port,1 drawer port |
| Fiscal memory | 1M bit (could support 1830 daily report) | 1M bit (could support 1830 daily report) |
| GPRS (optional) | N/A | With GPRS module inbuilt |
| Accessory | 1 D9-P4 PC cable;1 CD for PC s/w; 1 SMPS, User Manual | 1 D9-P4 PC cable; 1 CD for PC s/w; 1 SMPS, User Manual |
| Dimensions of ECR | 366*308*135mm | 366*308*135mm |
| Dimensions of Cash Drawer(CWY) | 410mm*415mm*100mm (4B8C, 3 position key) | 410mm*415mm*100mm (4B8C, 3 position key) |

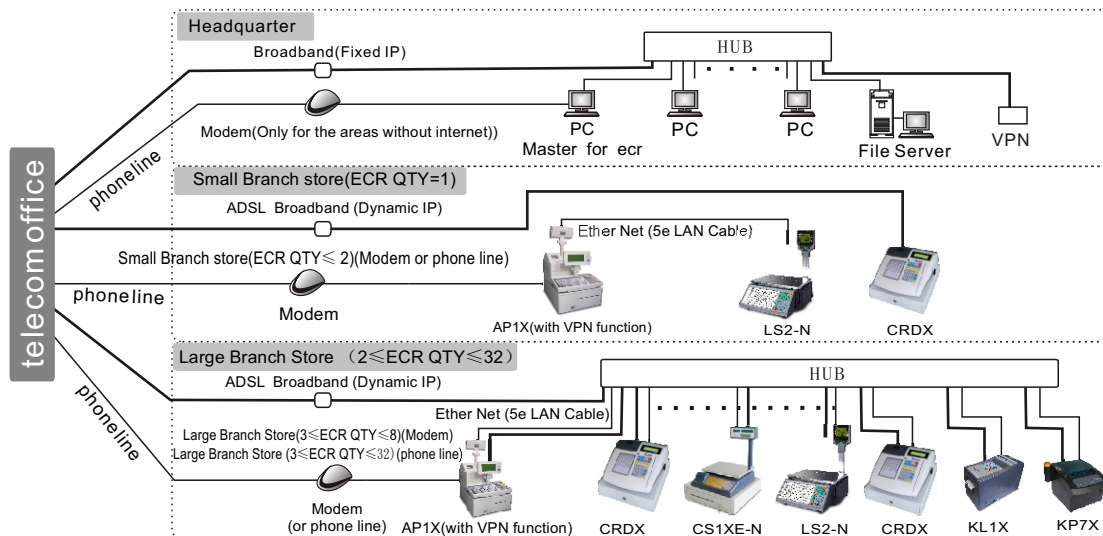
Dimensions



The connection diagram of restaurant system



Network diagram of chain stores



Note1:

1. The bold line is diagram between head store and its branch, while the filament indicates the remote branch where no ADSL but modem instead.
2. Most of our cash register and label scale with Ethernet can meet the above function.
3. Except server, other machines can use our LB15X, CS1X instead.

Note2: * Under developing function.

Functions are subject to change without notice. Please refer to practicality.